

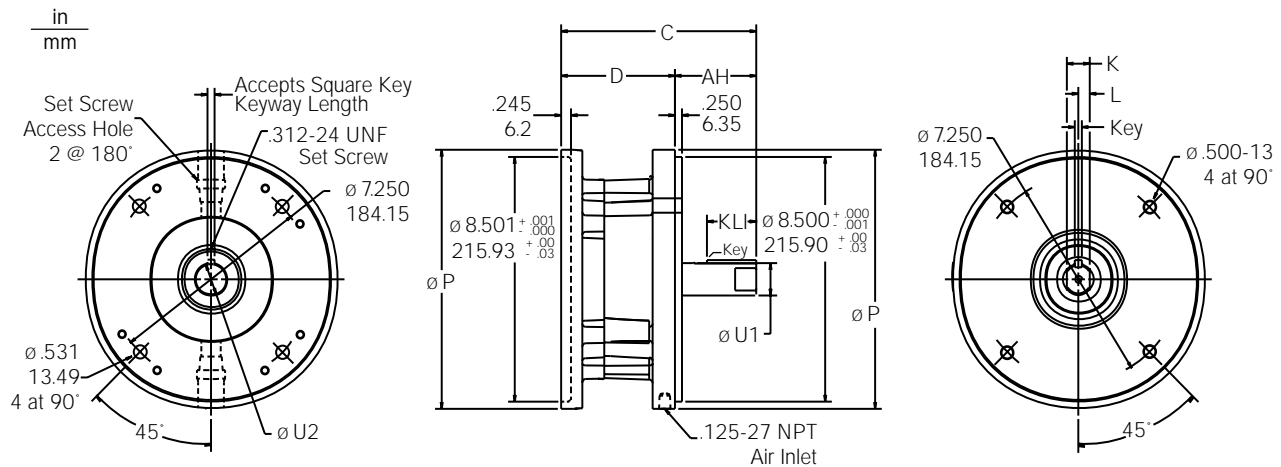
Eclipse Spring-Set Motor Brake For 10 to 20 HP NEMA TC Flange Motors

The Nexen flange mounted Eclipse Spring-Set Motor Brake is designed for use with 10-20 HP NEMA C-faced motors. This power-off brake is ideal for use in cycling, emergency stopping and holding applications. Low wear rate on the friction material combined with high thermal capabilities make this Motor Brake ideal for dynamic stopping applications. All Nexen spring-set pneumatic brakes run cooler and last longer than electrical spring-set brakes. Replace your double shafted brake motor with a standard motor and a Nexen Spring-Set Motor brake for off-the-shelf availability.



- Spring-Set, Air-Released brake for holding applications
- Power-off brakes for emergency and dynamic stopping functions
- Fits 10 to 20 Horsepower NEMA TC flange motors
- High torque capacity
- Operating speed up to 5000 rpm
- Continuous thermal horsepower up to .30 HP_T
- Low inertia rotor/shaft
- Easy to install, completely assembled
- Vertical or horizontal mounting configuration
- Totally enclosed
- Exterior finish: black paint

Eclipse Motor Brake, Approximate Dimensions



Dimensions

Model	Square Key	Keyway Length	BORE		P	D	C	AH	KLI	U1	K	L
			U2	P								
EMB 1125	0.250	1.875	1.126	9.00	4.038	6.924	2.885	1.750	1.125	0.81	0.41	
	6.35	47.50	28.60	228.6	102.58	175.87	73.29	44.45	28.57	20.6	10.3	
EMB 1375	0.312	2.500	1.376	9.00	4.038	7.408	3.369	2.250	1.375	0.98	0.49	
	7.94	63.50	34.95	228.6	102.58	188.15	85.58	57.15	34.93	25.0	12.5	
EMB 1625	0.375	3.000	1.626	10.00	4.638	8.639	4.000	3.000	1.625	1.21	0.61	
	9.53	76.20	41.30	254.0	117.82	219.43	101.61	76.20	41.27	30.7	15.5	

Specifications

Model	Product Number	NEMA Motor Frame	Min Holding Torque ²	HP _T up to	Inertia	Max RPM	Min Disengagement Air Pressure	Shipping Weight
EMB 1125	965300	182/184	55 ft-lb	.30	0.093 lb-ft ² 0.0039 kg-m ²	5000	48 psi 3.3 bar	36 lbs 16 kg
			75 Nm					
EMB 1375	965310	213/215	73 ft-lb	.30	0.093 lb-ft ² 0.0039 kg-m ²	5000	64 psi 4.4 bar	37 lbs 17 kg
			100 Nm					
EMB 1625	965320	254/256 ¹	92 ft-lb	.30	0.104 lb-ft ² 0.0044 kg-m ²	5000	80 psi 5.5 bar	50 lbs 23 kg
			125 Nm					

¹ Consult factory for 20 HP applications. ² For other than specified holding torque, contact Nexen.

HP_T = Continuous Thermal HP

3-way Air Controls- Normally Closed

Volts	Inline Mount Product No.	Air Inlet Mount Product No.	Operating Range [psi]	Effective Orifice [in]	Port Size [NPT]	Power Consumption [Watts]
24 VDC	948805	948808	0-150	0.0468	0.125	6
90 VDC	948806	948809	0-150	0.0468	0.125	6
120 VAC	948802	948804	0-150	0.0468	0.125	6
240 VAC	948807	948810	0-150	0.0468	0.125	6

In accordance with Nexen's established policy of constant product improvement, the specifications contained in this document are subject to change without notice. Technical data listed in this document are based on the latest information available at the time of printing and are also subject to change without notice. For current information, please consult www.nexengroup.com

nexen

Nexen Group, Inc.
560 Oak Grove Parkway
Vadnais Heights, MN 55127

800.843.7445
Fax: 651.286.1099
www.nexengroup.com

ISO 9001 Certified

© 2001 Nexen Group, Inc.
21084-B-0701