

Series QR1 Pneumatic Fittings Inch and Metric Push-in Type New Parts Supplement

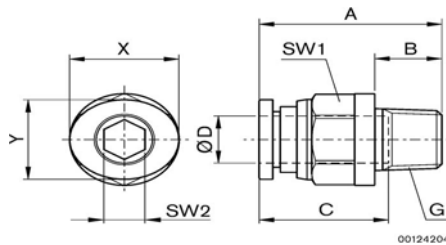


The Drive & Control Company



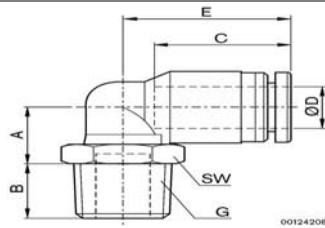
New fittings, series QR1-Inch

▲ ★ Straight male, series QR1-RPN



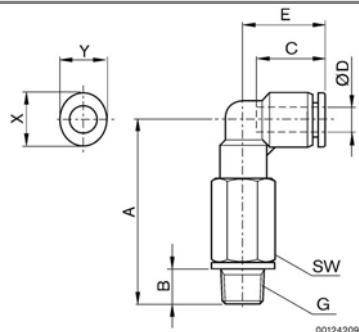
G	Ø D	A	B	C	SW1	SW2	X	Y	Weight [lbs]	Per Pack	Part no
NPT 1/8	3/8	1.24	0.31	0.83	11/16	0.187	0.75	0.67	0.056	10	R432002636

▲ ★ Male elbow, series QR1-RVT



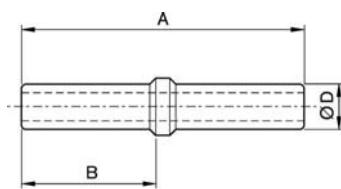
G	Ø D	A	B	C	E	SW	X	Y	Weight [lbs]	Per Pack	Part No
NPT 1/8	3/8	0.94	0.31	0.83	1.026	11/16	0.67	0.75	0.07	10	R432002637

▲ ★ Extended male elbow, series QR1-RVL



G	Ø D	A	B	C	E	SW	X	Y	Weight [lbs]	Per Pack	Part Number
NPT 1/8	3/8	1.99	0.31	0.83	1.026	11/16	0.67	0.75	0.126	10	R432002638

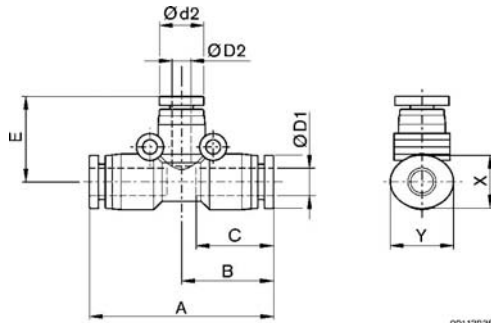
▲ ★ Male connector, series QR1-RDS



Ø D1	Ø D2	A	B	Weight [lbs]	Per Pack	Part no.
5/32	5/32	1.38	0.63	0.002	20	R432000062
5/16	5/16	1.81	0.83	0.002	20	R432000060

New fittings, series QR1-Inch

★ T-plug connector, reducing, series QR1-RTR



00117238

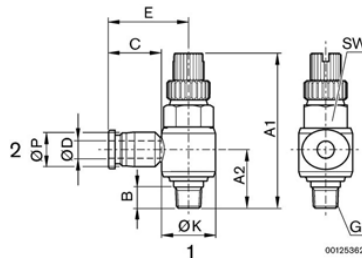


D1	D2	d1	d2	A	B	C	E	X1	Y1	X2	Y2	Weight [lbs]	Per Pack	Part no
1/4	5/32	0.488	0.409	1.60	0.80	0.67	0.75	0.47	0.55	0.39	0.47	0.02	10	R432003253
5/16	5/32	0.566	0.409	1.79	0.89	0.73	0.83	0.55	0.63	0.39	0.47	0.03	10	R432003254
5/16	1/4	0.566	0.488	1.79	0.89	0.73	0.85	0.55	0.63	0.47	0.55	0.03	10	R432003255
3/8	1/4	0.692	0.488	2.05	1.03	0.83	1.00	0.67	0.75	0.47	0.55	0.07	10	R432003256
3/8	5/16	0.692	0.566	2.05	1.03	0.83	0.92	0.67	0.75	0.55	0.63	0.04	10	R432003257
1/2	5/16	0.834	0.566	2.30	1.15	0.89	1.02	0.83	0.90	0.55	0.63	0.08	10	R432003258
1/2	3/8	0.834	0.692	2.30	1.15	0.89	1.07	0.83	0.90	0.67	0.75	0.06	10	R432003259

★ Right angle flow control valve, series QR1-DWA

Type Cone choke
 Max. pressure 145 psi
 Opening pressure (check valve) 7 psi
 Nominal flow rate Q_n (SCFM)
 at 87 psi, $\Delta p = 15$ psi See table
 Ambient temperature range 32 °F to +140 °F
 Medium Compressed air, lubricated or non-lubricated
 Weight See table

Materials Body PBT
 Seals Buna-N
 Throttling screw Brass, nickel-plated



00125362

	Direction of throttle	G	Ø D	Nominal Flow Rate [SCFM]	Weight [lbs]	Per Pack	Part No.
	2-->1 (meter-in)	NPT 1/4	1/4	9.88	0.07	1	R432000791
		NPT 3/8	3/8	33.54	0.15	1	R432000792
		NPT 1/2	1/2	54.72	0.23	1	R432000793